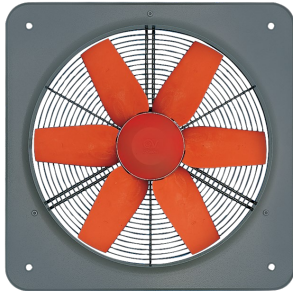


Technical Data Sheet

CODE 42334

MP 506 T

Medium-pressure plate axial fans



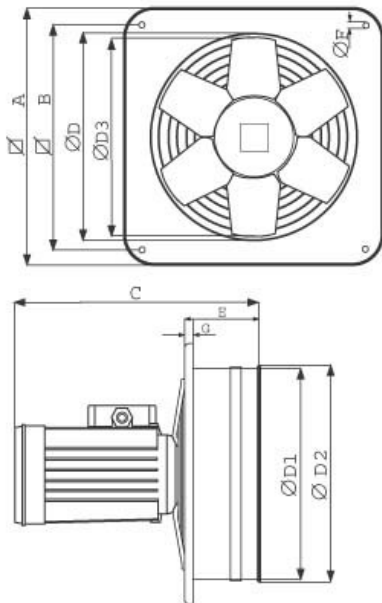
Certifications



TECHNICAL AND PERFORMANCE DATA

Absorbed Current at 220 V (A)	1,90	Max ambient temperature for continuous operation (°C)	70
Absorbed Current at 240 V (A)	1,90	Max. absorbed power at max speed (W)	430
Absorbed Current at 380 V (A)	1,12	Nominal Diameter (mm)	500
Absorbed Current at 415 V (A)	1,12	Number of Poles	6
Absorbed Current max (A)	1,90	Voltage (V)	220/380 240/415
Absorbed power at 220-380 V (W)	400	Weight (Kg)	19,3
Absorbed power at 240-415 V (W)	430	Delivery max (l/s)	1694
Absorbed Power max (W)	430	Delivery max (m³/h)	6100
Frequency (Hz)	50	Pressure max (mmH2O)	17
Insulation Class	IP	Pressure max (Pa)	167
IP	55	RPM	1000
		Sound Pressure level Lp [dB (A)] 3m	63,5

DIMENSIONS



Size A (mm)	630
Size B (mm)	530
Size C (mm)	381
Size D (mm)	∅
	510
Size D1 (mm)	∅
	512,5
Size D2 (mm)	∅
	518
Size D3 (mm)	∅
	500
Size E (mm)	109
Size F (mm)	∅ 12
Size G (mm)	15

PER INFORMAZIONI:

Servizio al Cliente: tel +39 02 90699395 premendo 1 dopo messaggio registrato (consulenza su prodotti e impianti)

Pre & Post Vendita: fax +39 02 90699302

Email prevendita: prevendita@vortice-italy.com

Technical Data Sheet

CODE 42334

MP 506 T

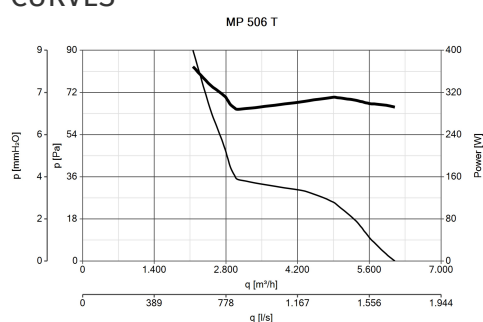
Medium-pressure plate axial fans



DESCRIPTION

- Nominal diameter 500 mm
- Wall-mounting panel manufactured from phosphated pressed steel, polyester powder coated with hammered effect finish, guaranteeing long-term resistance to atmospheric agents.
- Ventilation port fashioned in one piece with the panel and gauged to optimize air flow.
- Protective grille (in accordance with UNI ISO 13857 standard) combining the function of motor bracket, made of electrically welded steel with epoxy paint finish, colour black. Easy removal simplifies maintenance and cleaning of the fan.
- 1 speed asynchronous three-phase AC motor with shaft turning in double shielded ball bearings, insulation class F.
- Maximum air flow 6,100 m³/h
- Impeller with 6 wing profile blades keyed to a diecast aluminium hub and dynamically balanced (UNI ISO 1940 – Balancing class 6.3), optimized to deliver maximum performance and low noise levels, moulded from filled polypropylene for superior dimensional stability and resistance to atmospheric agents.
- Vortice speed controllers.

CURVES



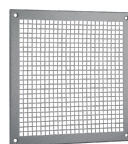
ACCESSORIES



IRT 35
Code 12924



PGR 450/500
(PERSIANA
GRAVITA')
Code 50550



TRA 450/500
(TELAIO CON
RETE ANTINF.)
Code 51550



IRET INVERTER
2,5 M
Code 12816

PER INFORMAZIONI:

Servizio al Cliente: tel +39 02 90699395 premendo 1 dopo messaggio registrato (consulenza su prodotti e impianti)

Pre & Post Vendita: fax +39 02 90699302

Email prevendita: prevendita@vortice-italy.com